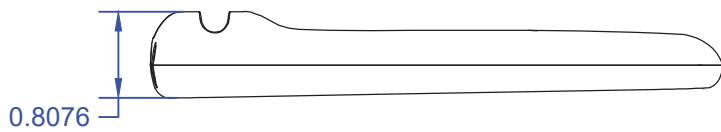
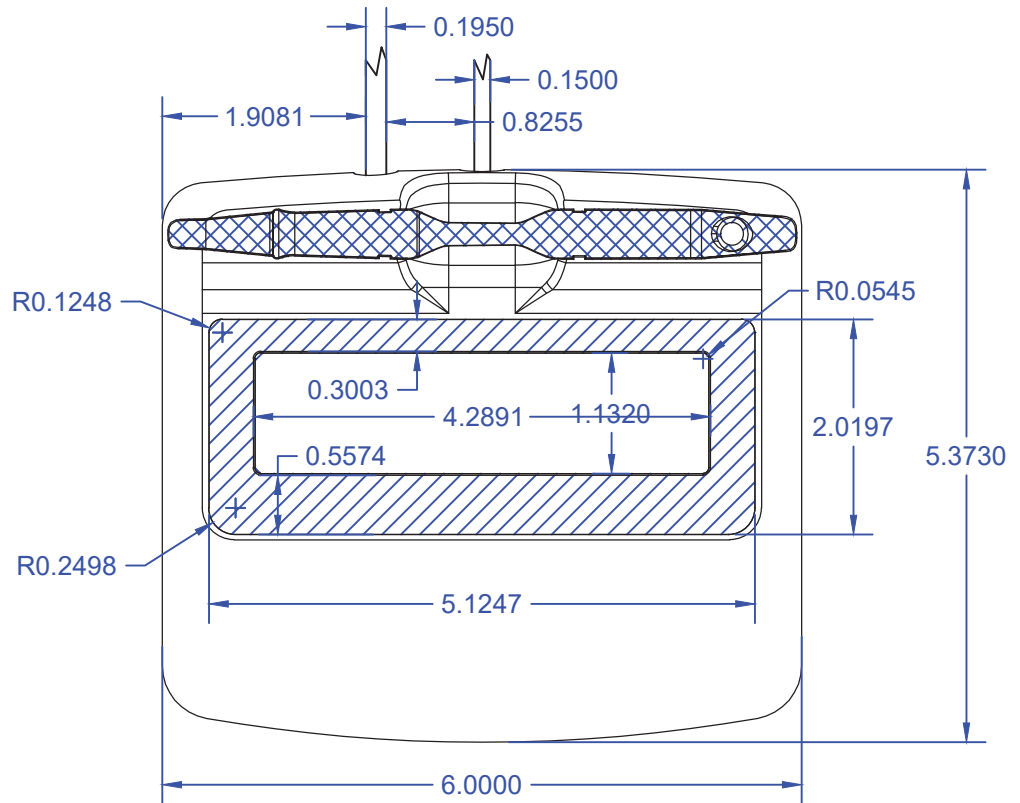
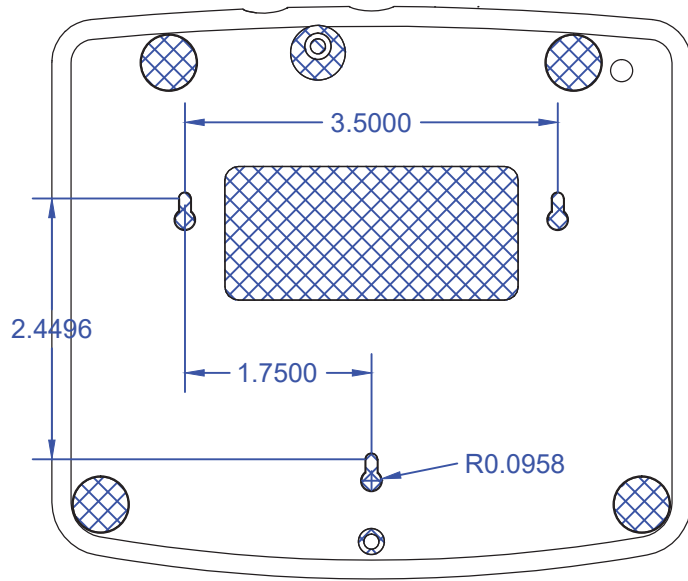


Scriptel[®] CORPORATION

Mounting holes are designed to be used with PEM fastener SKC-F1.5.



QTY.	U.M.	DESCRIPTION	PART NUMBER	ITEM
PARTS LIST				
THIS DRAWING IS THE PROPERTY OF SCRIPTEL CORPORATION. ANY PATENTS OBTAINED COVERING DESIGN OR CONSTRUCTION SHOWN HEREON BELONG WHOLLY TO SCRIPTEL CORPORATION.		UNLESS OTHERWISE SPECIFIED DIMENSIONS ARE IN INCHES. TOLERANCES ARE: FRACTIONS DECIMALS ANGLES XXX ± .010 ± 12° XXX ± .005	SCRIPTEL CORPORATION COLUMBUS, OHIO	
		DRAWN CHECKED APPROVED	ST1475 ST1476	
PROJECT No:		DATE	SIZE B	REV.
DO NOT SCALE DRAWING		APPROVALS	SCALE 1X	© 2013 SCRIPTEL CORP. SHEET 1 OF 1