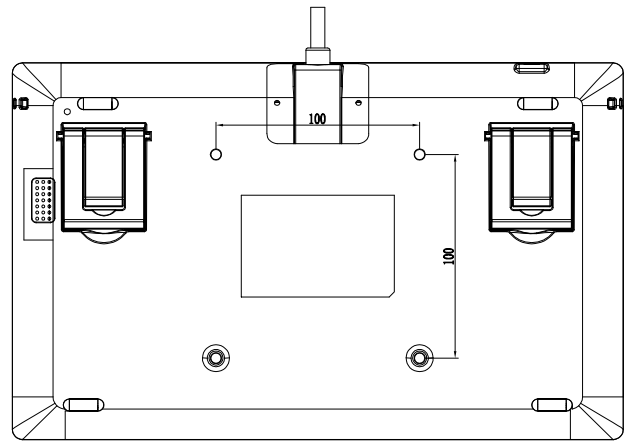
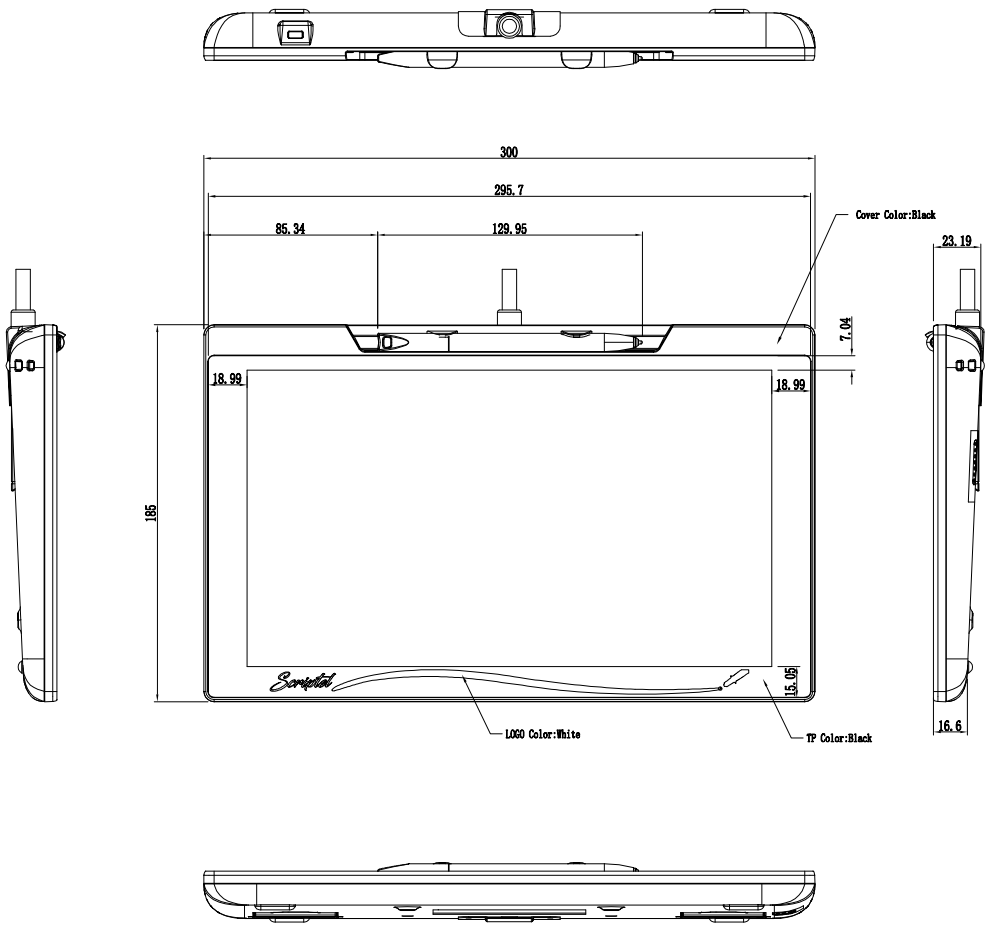


REV	LOC T	DESCRIPTION OF CHANGE	CH'G BY	DATE
A01		First release		
	1			

4  
3  
2  
1



UNLESS DRAWN OTHERWISE SPECIFIED TOLERANCES UNLESS OTHERWISE SPECIFIED LINEAR TOL. = ±0.05 (<20mm) LINEAR TOL. = ±0.10 (>20mm) ANGULAR TOL. = ±0.5°		MODEL NO.		REV.		V1.0	
		MATERIAL:		TITLE: Scriptel Six View Drawing			
DESIGN:		FINISH:		DWG NO.	SIZE		A4
CHECK:		PROJECTION:		CAD FILE		SCALE: 1:1	
APPROVE:		APPROVE:		SHEET 1 OF 1			

A B C D

1  
2  
3  
4